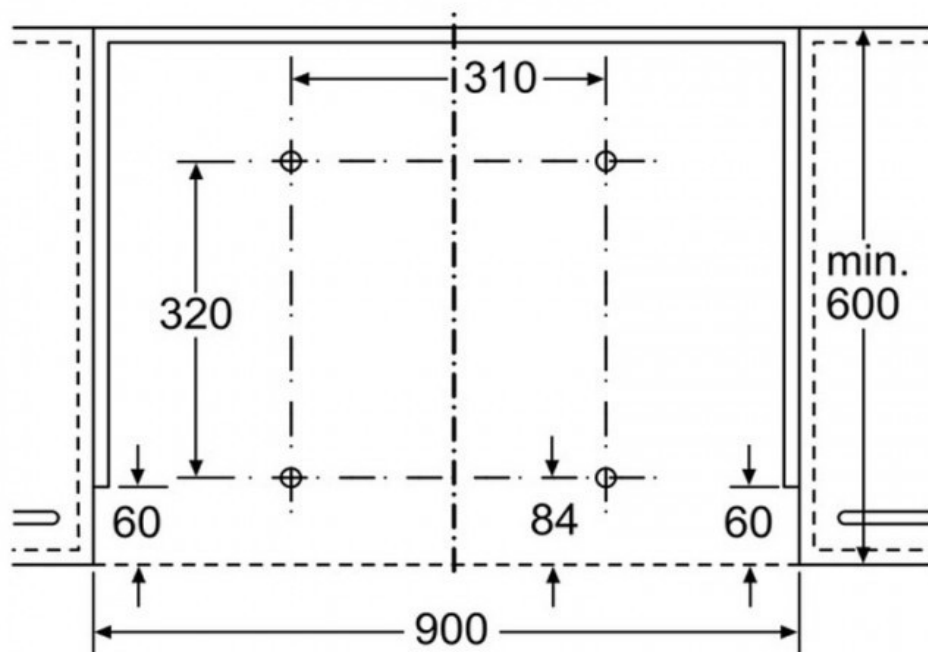
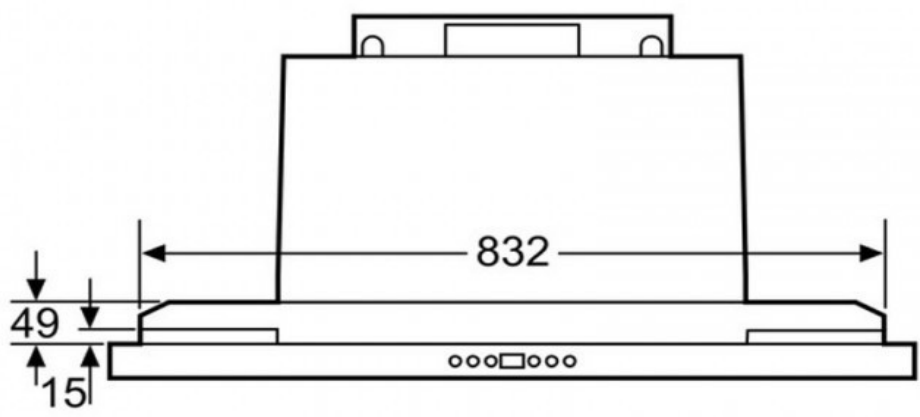
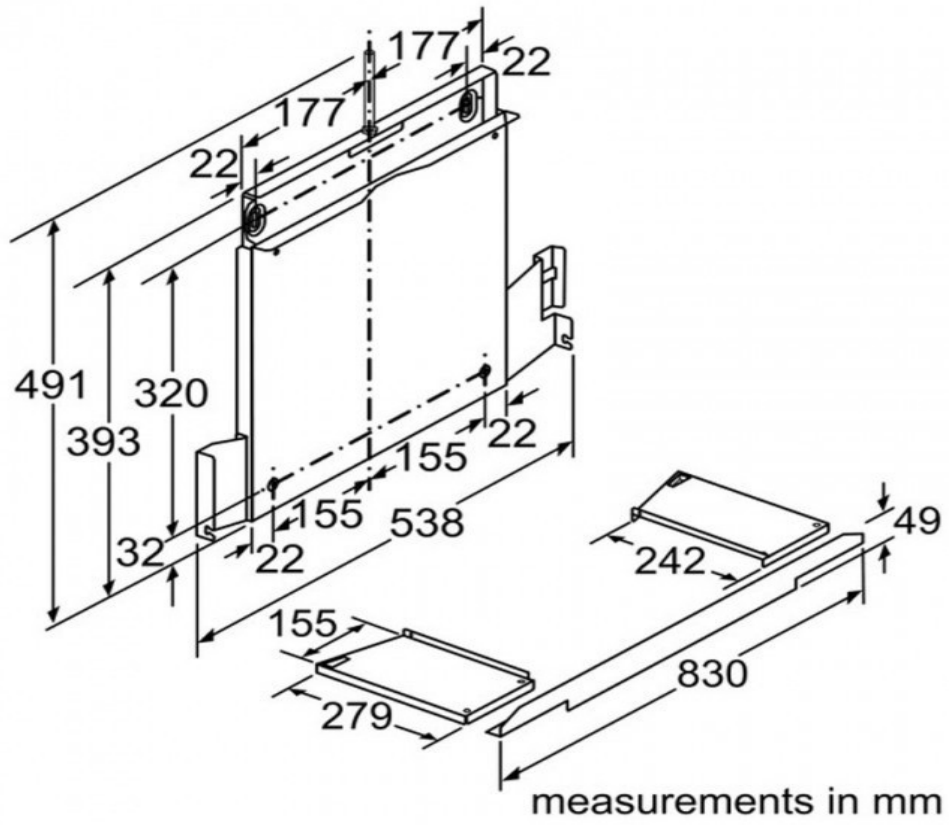


* See combination table

measurements in mm



measurements in mm



measurements in mm